

Алматы (7273)495-231
Ангарск (3955)60-70-56
Архангельск (8182)63-90-72
Астрахань (8512)99-46-04
Барнаул (3852)73-04-60
Белгород (4722)40-23-64
Благовещенск (4162)22-76-07
Брянск (4832)59-03-52
Владивосток (423)249-28-31
Владикавказ (8672)28-90-48
Владимир (4922) 49-43-18
Волгоград (844)278-03-48
Вологда (8172)26-41-59
Воронеж (473)204-51-73
Екатеринбург (343)384-55-89

Ижевск (3412)26-03-58
Иваново (4932)77-34-06
Иркутск (395)279-98-46
Казань (843)206-01-48
Калининград (4012)72-03-81
Калуга (4842)92-23-67
Кемерово (3842)65-04-62
Киров (8332)68-02-04
Коломна (4966)23-41-49
Кострома (4942)77-07-48
Краснодар (861)203-40-90
Красноярск (391)204-63-61
Курск (4712)77-13-04
Курган (3522)50-90-47
Липецк (4742)52-20-81

Магнитогорск (3519)55-03-13
Москва (495)268-04-70
Мурманск (8152)59-64-93
Набережные Челны (8552)20-53-41
Нижний Новгород (831)429-08-12
Новокузнецк (3843)20-46-81
Ноябрьск (3496)41-32-12
Новосибирск (383)227-86-73
Ноябрьск (3496)41-32-12
Омск (3812)21-46-40
Орел (4862)44-53-42
Оренбург (3532)37-68-04
Пенза (8412)22-31-16
Петрозаводск (8142)55-98-37
Псков (8112)59-10-37

Пермь (342)205-81-47
Ростов-на-Дону (863)308-18-15
Рязань (4912)46-61-64
Самара (846)206-03-16
Саранск (8342)22-96-24
Санкт-Петербург (812)309-46-40
Саратов (845)249-38-78
Севастополь (8692)22-31-93
Симферополь (3652)67-13-56
Смоленск (4812)29-41-54
Сочи (862)225-72-31
Ставрополь (8652)20-65-13
Сыктывкар (8212)25-95-17
Сургут (3462)77-98-35
Тамбов (4752)50-40-97

Тверь (4822)63-31-35
Тольятти (8482)63-91-07
Томск (3822)98-41-53
Тула (4872)33-79-87
Тюмень (3452)66-21-18
Улан-Удэ (3012)59-97-51
Ульяновск (8422)24-23-59
Уфа (347)229-48-12
Хабаровск (4212)92-98-04
Чебоксары (8352)28-53-07
Челябинск (351)202-03-61
Череповец (8202)49-02-64
Чита (3022)38-34-83
Якутск (4112)23-90-97
Ярославль (4852)69-52-93

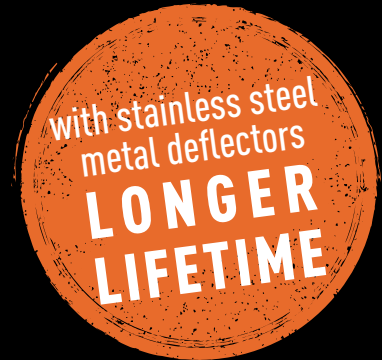
Киргизия (996)312-96-26-47

Россия (495)268-04-70

Казахстан (772)734-952-31

<https://duyar.nt-rt.ru> || drc@nt-rt.ru

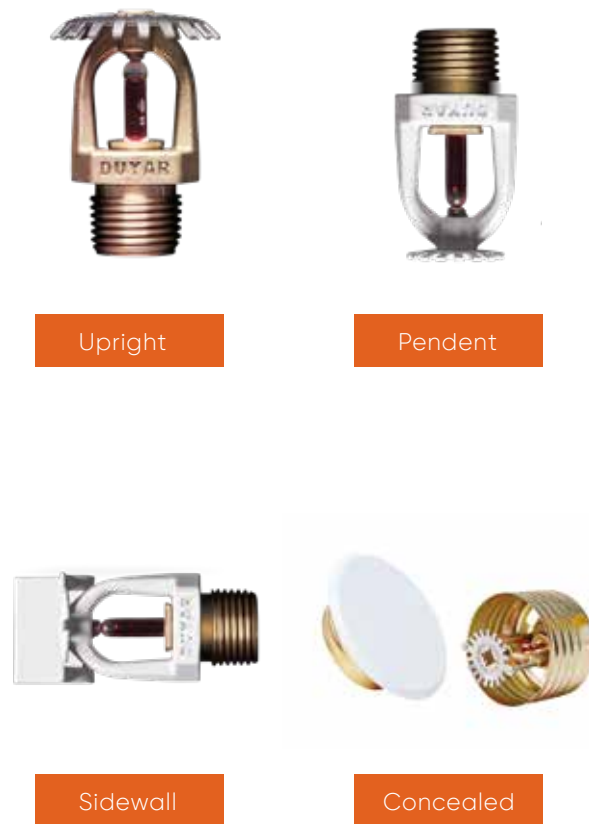
Спринклеры



Upright, Pendent, Sidewall and Concealed (Standard Response / Quick Response)

General Information

Duyar sprinkler is easy to use and extremely safe. Sprinkler is placed on the specially designed piping system such that it covers the area requiring protection. One of the most significant components of the stuffing, the fluid in the glass tube expands and goes off due to the temperature generated by fire. Because the ambient temperature exceeds the maximum expected ambient temperature by °C during fire, the maximum ambient temperature of the sprinkler should be chosen to be at temperatures above 30°C. Once the glass tube of the sprinkler above fire, the water under pressure hits the deflector and sprayed over fire. Only the sprinkler heating up during fire goes off, thereby releasing water.



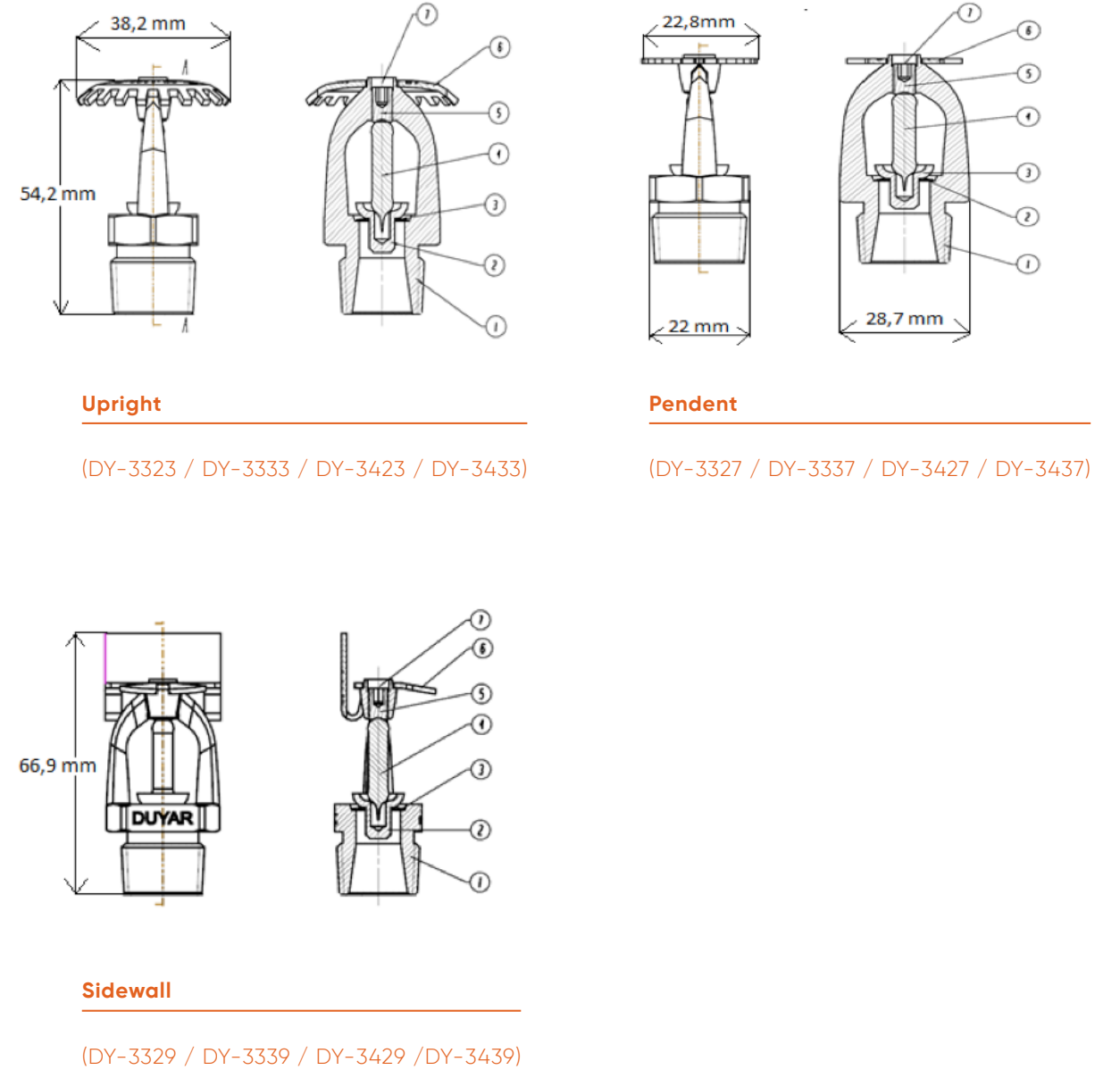
Application Areas

- Houses
- Factories
- Malls
- Airports
- Seaports
- Hospitals
- Schools
- Storages
- Car Parking
- Dormitories

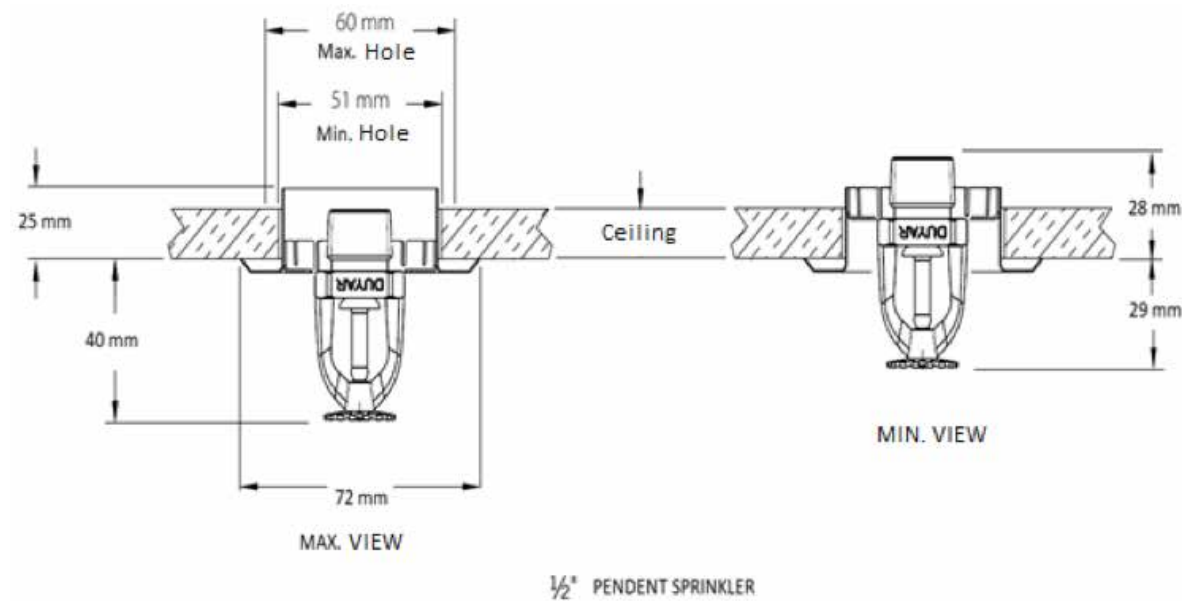
Type	:	Pendent, Upright, Sidewall or Concealed
K Factor	:	K5.6(80), K8.0(115)
Nominal Thread Size	:	1/2"NPT (15 mm), 3/4" NPT (20 mm)
Max. Working Pressure	:	175 psi/12 bar (FM)
Factory Hydrostatic Test	:	100% @ 500 psi / 34.5 bar
Min. Operating Pressure	:	7 psi/0,5 bar

Technical Specification

a) Product Specifications



PC No	Part Name	Material	QTY
1	BODY	BRASS	1
2	PIP CAP	BRASS	1
3	BELLEVILLE SPRING	TEFLON COATED	1
4	THERMO BULB	JOB THERMO BULB	1
5	SET SCREW	CF8/304 STAINLESS STEEL	1
6	DEFLECTOR	CF8/304 STAINLESS STEEL	1
7	LOCKTITE 290	INJECT AUTOMATICLY	



b) Thermo Bulb Selection

To determine the sensitivity of a sprinkler, the RTI (Response Time Index) unit system is used. A 3 mm bulb is used for quick response sprinklers and a 5 mm tube is used for standard response sprinklers.

International ratios;

If RTI values < 50 quick response

If RTI values 50 < RTI < 80 special response

If RTI values 80 < RTI < 200 standard response

It is advised to prefer quick response sprinklers in places where fire spreads quickly and people are under high risk.

Sidewall sprinklers are produced in five different temperature ratings. The operating temperature of each sprinkler should be determined based on the air-to-fluid ratio within. For ease of understanding, the five different temperatures are indicated in.

TEMPERATURE RATINGS

Hazard Class	Sprinkler Temperature		Color
	°C	°F	
Ordinary	57	135	Orange
Ordinary	68	155	Red
Intermediate	79	175	Yellow
Intermediate	93	200	Green
High	141	286	Blue

Standart Response
5 mm

Quick Response
3 mm

		Orange	57 °C (135 °F)
		Red	68 °C (155 °F)
		Yellow	79 °C (175 °F)
		Green	93 °C (200 °F)
		Blue	141 °C (286 °F)

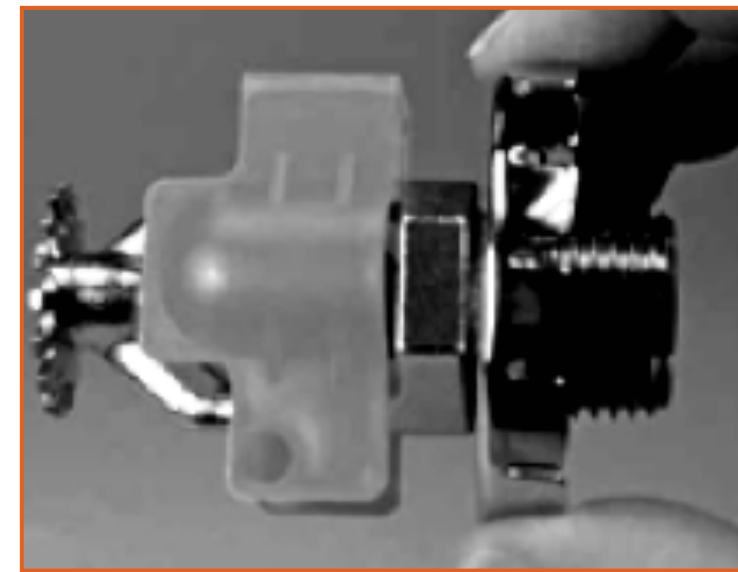
c) Product Types

Model	US	Metric	Thread size	Response time	Max. working pressure	Min. working pressure
DY3323	5,6	80	1/2" NPT (15 mm)	Standard	175 psi/12,1 bar	7 psi/0,5 bar
DY3333	8,0	115	3/4" NPT (20 mm)	Standard		
DY3327	5,6	80	1/2" NPT (15 mm)	Standard		
DY3337	8,0	115	3/4" NPT (20 mm)	Standard		
DY3329	5,6	80	1/2 " NPT (15 mm)	Standard		
DY3339	8,0	115	3/4 " NPT (20 mm)	Standard		
DY3423	5,6	80	1/2 " NPT (15 mm)	Quick		
DY3433	8,0	115	3/4 " NPT (20 mm)	Quick		
DY3427	5,6	80	1/2" NPT (15 mm)	Quick		
DY3437	8,0	115	3/4 " NPT (20 mm)	Quick		
DY3429	5,6	80	1/2 " NPT (15 mm)	Quick		
DY3439	8,0	115	3/4 " NPT (20 mm)	Quick		
DY3529	5,6	80	1/2 " NPT (15 mm)	Standard		
DY3629	5,6	80	1/2" NPT (15 mm)	Quick		
DY3539	8,0	115	3/4 " NPT (20 mm)	Standard		
DY3639	8,0	115	3/4 " NPT (20 mm)	Quick		
DY3527	5,6	80	1/2 " NPT (15 mm)	Standard		
DY3627	5,6	80	1/2 " NPT (15 mm)	Quick		
DY3537	8,0	115	3/4 " NPT (20 mm)	Standard		
DY3637	8,0	115	3/4 " NPT (20 mm)	Quick		
DY4333	14	200	3/4 " NPT (20 mm)	Quick		
DY4343	16,8	240	3/4 " NPT (20 mm)	Quick		
DY4337	14	200	3/4 " NPT (20 mm)	Quick		
DY4347	16,8	240	3/4 " NPT (20 mm)	Quick		
DY5337	11,2	160	3/4 " NPT (20 mm)	Standard		
DY5437	11,2	160	3/4 " NPT (20 mm)	Quick		
DY5333	11,2	160	3/4 " NPT (20 mm)	Standard		
DY5433	11,2	160	3/4 " NPT (20 mm)	Quick		

d) Cautions






- The sprinkler bulb ship with plastic coverage. This plastic coverage protects the bulb from possible damages during carrying and mounting. After the mounting, the plastic coverage shall take out before putting into service.



Pendent

Model	DY-3327	DY-3427
Orientation	Pendent	Pendent
Response	Standard	Quick
K-Factor	5.6 (80 Metric)	5.6 (80 Metric)
Thread Size	1/2" (15 mm)	1/2" (15 mm)
Finish	Brass Chrome White	Brass Chrome White
	57° (135°F) 68° (155°F) 79° (175°F) 93° (200°F) 141° (285°F)	57° (135°F) 68° (155°F) 79° (175°F) 93° (200°F) 141° (285°F)
	57° (135°F) 68° (155°F) 79° (175°F)	68° (155°F)
	68° (155°F)	68° (155°F)
	68° (155°F)	68° (155°F)


Upright

Model	DY-3323	DY-3423
Orientation	Upright	Upright
Response	Standard	Quick
K-Factor	5.6 (80 metric)	5.6 (80 Metric)
Thread Size	1/2" (15 mm)	1/2" (15 mm)
Finish	Brass Chrome	Brass Chrome
	57° (135°F) 68° (155°F) 79° (175°F) 93° (200°F) 141° (285°F)	57° (135°F) 68° (155°F) 79° (175°F) 93° (200°F) 141° (285°F)
	57° (135°F) 68° (155°F) 79° (175°F)	68° (155°F)
	Brass 57° (135°F) 68° (155°F) 79° (175°F)	Brass 68° (155°F)
	68° (155°F)	68° (155°F)
	68° (155°F)	68° (155°F)

Sidewall

Model	DY-3329	DY-3429
Orientation	Sidewall	Sidewall
Response	Standard	Quick
K-Factor	5.6 (80 metric)	5.6 (80 Metric)
Thread Size	1/2" (15 mm)	1/2" (15 mm)
Finish	Brass Chrome White	Brass Chrome White
	57° (135°F) 68° (155°F) 79° (175°F) 93° (200°F) 141° (285°F)	57° (135°F) 68° (155°F) 79° (175°F) 93° (200°F) 141° (285°F)
	57° (135°F) 68° (155°F) 79° (175°F)	68° (155°F)
	- White 57° (135°F) 68° (155°F) 79° (175°F)	- White 68° (155°F)
	68° (155°F)	68° (155°F)
	68° (155°F)	68° (155°F)

Concealed

Model	DY-3428
Orientation	Concealed
Response	Quick
K-Factor	5.6 (80 Metric)
Thread Size	1/2" (15 mm)
Finish	Brass
	57° (135°F) 68° (155°F) 79° (175°F) 93° (200°F) 141° (285°F)





Алматы (7273)495-231
Ангарск (3955)60-70-56
Архангельск (8182)63-90-72
Астрахань (8512)99-46-04
Барнаул (3852)73-04-60
Белгород (4722)40-23-64
Благовещенск (4162)22-76-07
Брянск (4832)59-03-52
Владивосток (423)249-28-31
Владикавказ (8672)28-90-48
Владимир (4922) 49-43-18
Волгоград (844)278-03-48
Вологда (8172)26-41-59
Воронеж (473)204-51-73
Екатеринбург (343)384-55-89

Ижевск (3412)26-03-58
Иваново (4932)77-34-06
Иркутск (395)279-98-46
Казань (843)206-01-48
Калининград (4012)72-03-81
Калуга (4842)92-23-67
Кемерово (3842)65-04-62
Киров (8332)68-02-04
Коломна (4966)23-41-49
Кострома (4942)77-07-48
Краснодар (861)203-40-90
Красноярск (391)204-63-61
Курск (4712)77-13-04
Курган (3522)50-90-47
Липецк (4742)52-20-81

Киргизия (996)312-96-26-47

Магнитогорск (3519)55-03-13
Москва (495)268-04-70
Мурманск (8152)59-64-93
Набережные Челны (8552)20-53-41
Нижний Новгород (831)429-08-12
Новокузнецк (3843)20-46-81
Ноябрьск (3496)41-32-12
Новосибирск (383)227-86-73
Ноябрьск (3496)41-32-12
Омск (3812)21-46-40
Орел (4862)44-53-42
Оренбург (3532)37-68-04
Пенза (8412)22-31-16
Петрозаводск (8142)55-98-37
Псков (8112)59-10-37

Россия (495)268-04-70

Пермь (342)205-81-47
Ростов-на-Дону (863)308-18-15
Рязань (4912)46-61-64
Самара (846)206-03-16
Саранск (8342)22-96-24
Санкт-Петербург (812)309-46-40
Саратов (845)249-38-78
Севастополь (8692)22-31-93
Симферополь (3652)67-13-56
Смоленск (4812)29-41-54
Сочи (862)225-72-31
Ставрополь (8652)20-65-13
Сыктывкар (8212)25-95-17
Сургут (3462)77-98-35
Тамбов (4752)50-40-97

Казахстан (772)734-952-31

Тверь (4822)63-31-35
Тольяти (8482)63-91-07
Томск (3822)98-41-53
Тула (4872)33-79-87
Тюмень (3452)66-21-18
Улан-Удэ (3012)59-97-51
Ульяновск (8422)24-23-59
Уфа (347)229-48-12
Хабаровск (4212)92-98-04
Чебоксары (8352)28-53-07
Челябинск (351)202-03-61
Череповец (8202)49-02-64
Чита (3022)38-34-83
Якутск (4112)23-90-97
Ярославль (4852)69-52-93

<https://duyar.nt-rt.ru> || drc@nt-rt.ru