

Алматы (7273)495-231  
Ангарск (3955)60-70-56  
Архангельск (8182)63-90-72  
Астрахань (8512)99-46-04  
Барнаул (3852)73-04-60  
Белгород (4722)40-23-64  
Благовещенск (4162)22-76-07  
Брянск (4832)59-03-52  
Владивосток (423)249-28-31  
Владикавказ (8672)28-90-48  
Владимир (4922) 49-43-18  
Волгоград (844)278-03-48  
Вологда (8172)26-41-59  
Воронеж (473)204-51-73  
Екатеринбург (343)384-55-89

Ижевск (3412)26-03-58  
Иваново (4932)77-34-06  
Иркутск (395)279-98-46  
Казань (843)206-01-48  
Калининград (4012)72-03-81  
Калуга (4842)92-23-67  
Кемерово (3842)65-04-62  
Киров (8332)68-02-04  
Коломна (4966)23-41-49  
Кострома (4942)77-07-48  
Краснодар (861)203-40-90  
Красноярск (391)204-63-61  
Курск (4712)77-13-04  
Курган (3522)50-90-47  
Липецк (4742)52-20-81

Магнитогорск (3519)55-03-13  
Москва (495)268-04-70  
Мурманск (8152)59-64-93  
Набережные Челны (8552)20-53-41  
Нижний Новгород (831)429-08-12  
Новокузнецк (3843)20-46-81  
Ноябрьск (3496)41-32-12  
Новосибирск (383)227-86-73  
Ноябрьск (3496)41-32-12  
Омск (3812)21-46-40  
Орел (4862)44-53-42  
Оренбург (3532)37-68-04  
Пенза (8412)22-31-16  
Петрозаводск (8142)55-98-37  
Псков (8112)59-10-37

Пермь (342)205-81-47  
Ростов-на-Дону (863)308-18-15  
Рязань (4912)46-61-64  
Самара (846)206-03-16  
Саранск (8342)22-96-24  
Санкт-Петербург (812)309-46-40  
Саратов (845)249-38-78  
Севастополь (8692)22-31-93  
Симферополь (3652)67-13-56  
Смоленск (4812)29-41-54  
Сочи (862)225-72-31  
Ставрополь (8652)20-65-13  
Сыктывкар (8212)25-95-17  
Сургут (3462)77-98-35  
Тамбов (4752)50-40-97

Тверь (4822)63-31-35  
Тольятти (8482)63-91-07  
Томск (3822)98-41-53  
Тула (4872)33-79-87  
Тюмень (3452)66-21-18  
Улан-Удэ (3012)59-97-51  
Ульяновск (8422)24-23-59  
Уфа (347)229-48-12  
Хабаровск (4212)92-98-04  
Чебоксары (8352)28-53-07  
Челябинск (351)202-03-61  
Череповец (8202)49-02-64  
Чита (3022)38-34-83  
Якутск (4112)23-90-97  
Ярославль (4852)69-52-93

Киргизия (996)312-96-26-47

Россия (495)268-04-70

Казахстан (772)734-952-31

<https://duyar.nt-rt.ru> || [drc@nt-rt.ru](mailto:drc@nt-rt.ru)

# Мокрый сигнальный клапан Y-4010

## Y-4010

### Genel Özellikler / Specifications

Ölçü / Dimensions: 2 ½" – 8" / DN65 – DN200

Anma Basıncı / Nominal Pressure: 300 psi (20,6 bar)

Çalışma Sıcaklığı / Working Temperature: Min. +4°C

Sertifikalar / Certificate: FM, UL

Tasarım / Design: FM 1041, UL 262, TS EN 12259-2

Flanş Bağlantı Standard / Flange Connection Standard: EN -1092-2 (PN16) / ANSI

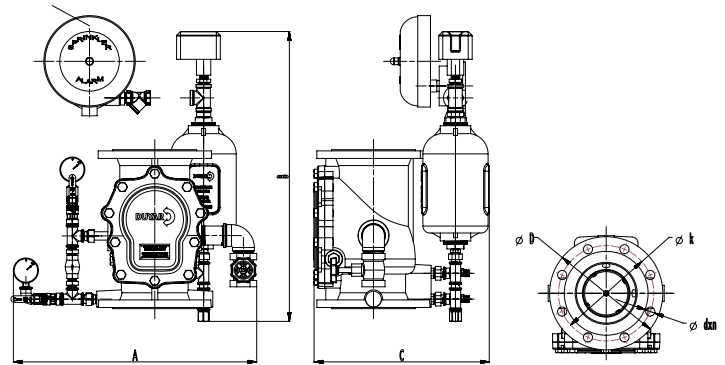
Testler / Tests: FM 1041, UL 193, TS EN 12259-2



Islak alarm vanası suyun donma ihtimali olmayan uygulamalar için diyazn edilmiştir. Borular içinde basınçlandırılmış halde bekleyen su, sprinklerin yangın nedeniyle devreye girmesi sonucunda yangın bölgesine deşarj olur. Basıncı su sistemi sürekli olarak beslenirken aynı anda geciktirme hücresinin de doldurur. Hücre dolduktan sonra hücre üzerindeki basınç anahtarı tetiklenir. Basınç anahtarı yangın ihbar sistemine veya otomasyon sistemine alarm bilgisini ulaştırır. Basınç anahtarı tetiklendikten sonra su, su motorlu gonga ulaşır ve mekanik alarm verilmesini sağlar.

The wet alarm valve is designed for applications where the water is unlikely to freeze. The water staying pressurized in the pipes is released over the fire area after the sprinkler is activated due to fire. The pressurized water system is not only fed continuously, but also fills in the retard chamber. After the chamber is filled, the pressure switch on the chamber is actuated. The pressure switch sends the alarm information to the fire warning system or the automation system. After the pressure switch is actuated, the water is delivered to the water-motor gong and releases a mechanical alarm.

- Tüm ıslak borulu sistemler için özel olarak üretilmiştir. Specially designed for all wet pipe systems.
- Hassas geciktirme hücresi sayesinde farklı basınçlar altında yanlış alarmı önler. Due to its sensitive retard chambers it prevents false alarms under different pressures.
- Dik kullanıma uygun trim seti. Trim set for vertical application.
- Yarı montajlı Semi-mounted.



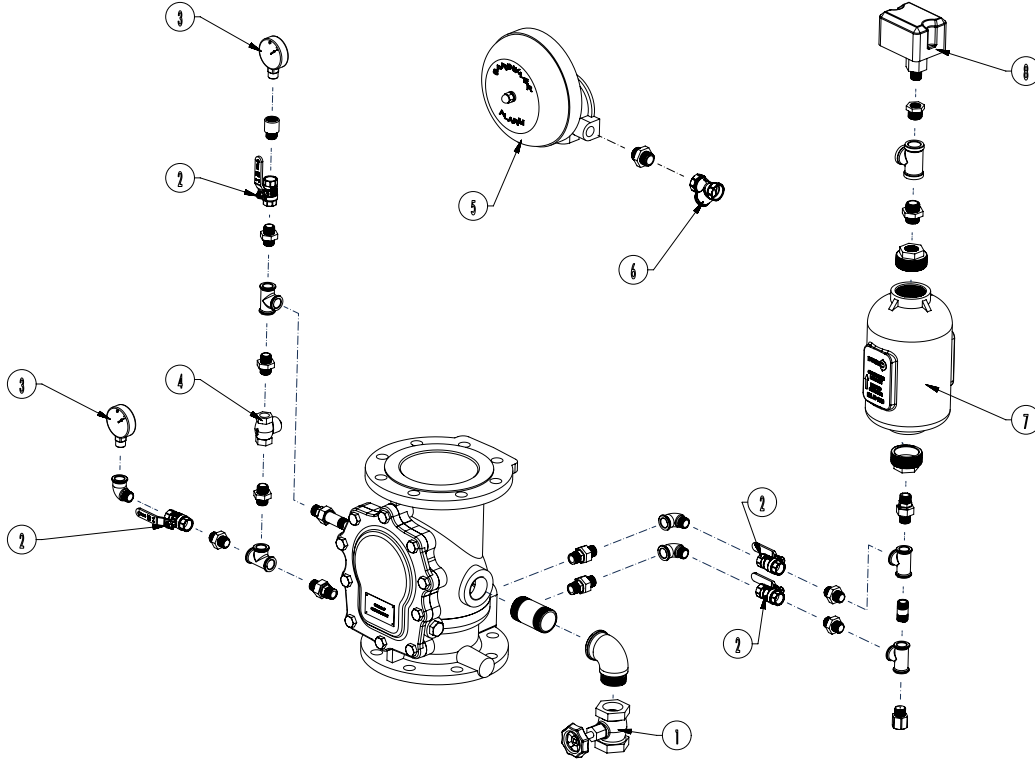
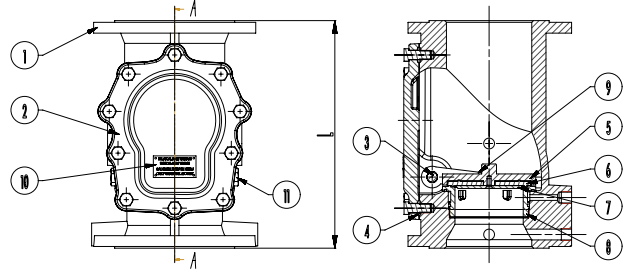
### Ölçüler Dimension

DN	65	80	100	150	200
A	630	630	700	700	800
B	803	803	700	700	800
C	400	450	450	500	600
L	325	325	350	400	480
D	185	200	220	285	340
k	145	160	180	240	295
dxn	19x4	19x8	19x8	23x8	23x12



## Malzeme Özellikleri Material Specifications

No	Parça Adı/Part Name	Malzeme/Material
1	Gövde/Body	EN JS-1020
2	Kapak/Bonnet	EN JS-1020
3	Mil/Stem	X20Cr13
4	Kapak Conta/Bonnet Gasket	EPDM
5	Klape/Disc	Bronz/Bronze
6	Klape Conta/Disc Gasket	EPDM
7	Klape Pul/Disc Washer	EPDM
8	Sit/Seat	Bronz/Bronze
9	Yay/Spring	Paslanmaz Çelik/Stainless Steel
10	Etiket/Label	Alüminyum/Aluminium
11	Tapa/Plug	St - 37



## Malzeme Özellikleri Material Specifications

No	Parça Adı/Part Name	ADET/Qty
1	Bronz Dişli Glob Vana/Bronze Thread Globe Valve	1
2	1/2" Pirinç Küresel Vana/Brass Ball Valve	4
3	0-25 bar Manometre/Gauge	2
4	1 1/2" Bronz Dişli Çalpara Çekvalf/Bronze Thread Swing Check Valve	1
5	Gong/Gong	1
6	3/4 Pirinç Dişli Pislik Tutucu/Brass Thread Strainer	1
7	Geciktime Ünitesi/Retard Chamber	1
8	Switch	1

**Almaty** (7273)495-231  
**Anğarsk** (3955)60-70-56  
**Arhangelsk** (8182)63-90-72  
**Astrahany** (8512)99-46-04  
**Barnaul** (3852)73-04-60  
**Belgorod** (4722)40-23-64  
**Blagoveshensk** (4162)22-76-07  
**Bryansk** (4832)59-03-52  
**Vladivostok** (423)249-28-31  
**Vladikavkaz** (8672)28-90-48  
**Vladimir** (4922) 49-43-18  
**Volgograd** (844)278-03-48  
**Vologda** (8172)26-41-59  
**Voronezh** (473)204-51-73  
**Ekaterinburg** (343)384-55-89

**Ijevsk** (3412)26-03-58  
**Ivanovo** (4932)77-34-06  
**Irkutsk** (395)279-98-46  
**Kazany** (843)206-01-48  
**Kaliningrad** (4012)72-03-81  
**Kaluga** (4842)92-23-67  
**Keмеровo** (3842)65-04-62  
**Kirov** (8332)68-02-04  
**Kolomna** (4966)23-41-49  
**Kostroma** (4942)77-07-48  
**Krasnodar** (861)203-40-90  
**Krasnoyarsk** (391)204-63-61  
**Kursk** (4712)77-13-04  
**Kurgan** (3522)50-90-47  
**Lipetsk** (4742)52-20-81

Kirgizya (996)312-96-26-47

**Magnitogorsk** (3519)55-03-13  
**Moskva** (495)268-04-70  
**Murmansk** (8152)59-64-93  
**Naberezhnye Chelny** (8552)20-53-41  
**Nizhniy Novgorod** (831)429-08-12  
**Novokuzyneçk** (3843)20-46-81  
**Novyabrsk** (3496)41-32-12  
**Novosibirsk** (383)227-86-73  
**Novyabrsk** (3496)41-32-12  
**Omsk** (3812)21-46-40  
**Orel** (4862)44-53-42  
**Orenburg** (3532)37-68-04  
**Penza** (8412)22-31-16  
**Petrozavodsk** (8142)55-98-37  
**Pskov** (8112)59-10-37

Rossiya (495)268-04-70

**Perm** (342)205-81-47  
**Rostov-na-Donu** (863)308-18-15  
**Ryazan** (4912)46-61-64  
**Samara** (846)206-03-16  
**Saransk** (8342)22-96-24  
**Sankt-Peterburg** (812)309-46-40  
**Saratov** (845)249-38-78  
**Sevastopol** (8692)22-31-93  
**Simferopol** (3652)67-13-56  
**Smolensk** (4812)29-41-54  
**Sochi** (862)225-72-31  
**Stavropol** (8652)20-65-13  
**Sykt'yvkar** (8212)25-95-17  
**Surgut** (3462)77-98-35  
**Tambov** (4752)50-40-97

Kazakhstan (772)734-952-31

**Tver** (4822)63-31-35  
**Tolyati** (8482)63-91-07  
**Tomsk** (3822)98-41-53  
**Tula** (4872)33-79-87  
**Tyumen** (3452)66-21-18  
**Ulan-Ude** (3012)59-97-51  
**Ulyanovsk** (8422)24-23-59  
**Ufa** (347)229-48-12  
**Xabarovsk** (4212)92-98-04  
**Cheboksary** (8352)28-53-07  
**Chelyabinsk** (351)202-03-61  
**Chepoveç** (8202)49-02-64  
**Çita** (3022)38-34-83  
**Yakutsk** (4112)23-90-97  
**Yaroslavl** (4852)69-52-93