

Алматы (7273)495-231
Ангарск (3955)60-70-56
Архангельск (8182)63-90-72
Астрахань (8512)99-46-04
Барнаул (3852)73-04-60
Белгород (4722)40-23-64
Благовещенск (4162)22-76-07
Брянск (4832)59-03-52
Владивосток (423)249-28-31
Владикавказ (8672)28-90-48
Владимир (4922) 49-43-18
Волгоград (844)278-03-48
Вологда (8172)26-41-59
Воронеж (473)204-51-73
Екатеринбург (343)384-55-89

Ижевск (3412)26-03-58
Иваново (4932)77-34-06
Иркутск (395)279-98-46
Казань (843)206-01-48
Калининград (4012)72-03-81
Калуга (4842)92-23-67
Кемерово (3842)65-04-62
Киров (8332)68-02-04
Коломна (4966)23-41-49
Кострома (4942)77-07-48
Краснодар (861)203-40-90
Красноярск (391)204-63-61
Курск (4712)77-13-04
Курган (3522)50-90-47
Липецк (4742)52-20-81

Магнитогорск (3519)55-03-13
Москва (495)268-04-70
Мурманск (8152)59-64-93
Набережные Челны (8552)20-53-41
Нижний Новгород (831)429-08-12
Новокузнецк (3843)20-46-81
Ноябрьск (3496)41-32-12
Новосибирск (383)227-86-73
Ноябрьск (3496)41-32-12
Омск (3812)21-46-40
Орел (4862)44-53-42
Оренбург (3532)37-68-04
Пенза (8412)22-31-16
Петрозаводск (8142)55-98-37
Псков (8112)59-10-37

Пермь (342)205-81-47
Ростов-на-Дону (863)308-18-15
Рязань (4912)46-61-64
Самара (846)206-03-16
Саранск (8342)22-96-24
Санкт-Петербург (812)309-46-40
Саратов (845)249-38-78
Севастополь (8692)22-31-93
Симферополь (3652)67-13-56
Смоленск (4812)29-41-54
Сочи (862)225-72-31
Ставрополь (8652)20-65-13
Сыктывкар (8212)25-95-17
Сургут (3462)77-98-35
Тамбов (4752)50-40-97

Тверь (4822)63-31-35
Тольяти (8482)63-91-07
Томск (3822)98-41-53
Тула (4872)33-79-87
Тюмень (3452)66-21-18
Улан-Удэ (3012)59-97-51
Ульяновск (8422)24-23-59
Уфа (347)229-48-12
Хабаровск (4212)92-98-04
Чебоксары (8352)28-53-07
Челябинск (351)202-03-61
Череповец (8202)49-02-64
Чита (3022)38-34-83
Якутск (4112)23-90-97
Ярославль (4852)69-52-93

Киргизия (996)312-96-26-47

Россия (495)268-04-70

Казахстан (772)734-952-31

<https://duyar.nt-rt.ru> || drc@nt-rt.ru

Указанный дисковый затвор Y-4020

Y-4020

Genel Özellikler / General Specifications

Ölçü / Dimensions: 2" – 8" /DN65 – DN200

Anma Basıncı / Nominal Pressure: 300 psi (20,6 bar)

Çalışma Sıcaklığı / Working Temperature: -10°C/+120°C

Standartlar / Standards

Tasarım / Design: FM 1112, UL 1091

Testler / Tests: FM 1112, UL 1091



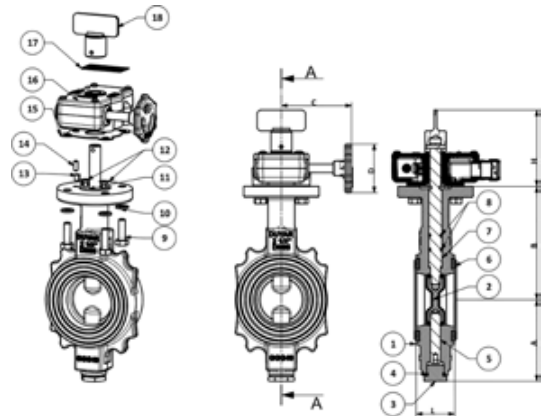
* Ürünlerin sertifika kapsamaları için www.duyarvana.com.tr/sertifikalar/ yangin kısmına bakınız.

They are defined as local control valves. Generally they are used in water feed lines as interruption valves in order to separate (to control) zones in the location. Butterfly valves or rising stem valves are used in order to shut off or to control the flow. The position of all valves in fire systems should be visible and electrically monitored. This butterfly valve type has a gearbox with handwheel. The supervisory switch is located inside the butterfly valve and includes also an on/off indicator.



Ölçüler Dimension

Anma Basıncı Nominal Pressure	21 Bar / 300 Psi							
Anma Çapı Nominal Diameter	DN	50	65	80	100	125	150	200
Boyutlar Dimensions [mm]	A	92	97	107	117	138	152	178
	B	130	135	145	152	174,5	188	222
	C	84	84	84	84	111	111	157
	D	Ø80	Ø80	Ø80	Ø80	Ø100	Ø200	Ø200
	H	91	91	91	91	98	98	104
	L	43	46	46	52	56	56	60
	(ISO 5211) Tepe Flans Mil Ölçüsü /Stem Dimension	F07	F07	F07	F07	F07	F07	F07
Ağırlık Weight	Kg	4,5	5,1	6,9	7,80	11,50	13,60	21,60



Malzeme Özellikleri Material Specifications

No	PART NAME / Parça İsmi	Material / Malzeme
1	BODY / Gövde	DUCTILE IRON / Sfero (EN-GJS-400)
2	CLAPPER / Klappe	DUCTILE IRON+EPDM / Sfero (EN-GJS-400) +EPDM Kaplama
3	ORING NUT / Oring Somunu	ST-40 JAN JAN ZINC COATED / ST-40 + Kaplama
4	ORING / Oring	EPDM
5	LOWER STEM / Alt Mil	AISI 304/Paslanmaz
6	FLANGE GASKET / Tesisat Contası	EPDM
7	UPPER STEM / Üst Mil	AISI 304/Paslanmaz
8	ORING / Oring	EPDM
9	BOLT / Cıvata	STEEL GALVANIZED / Galvanizli Çelik Cıvata
10	SPRING LOCK WASHERS /Rondela	DIN 127 M8
11	PREVENTING PLATE / Baskı Sacı	ST-37
12	BOLT / Cıvata	STEEL GALVANIZED / Galvanizli Çelik Cıvata
13	KEY / Kama	ALUMINIUM / Alüminyum
14	SET SCREW / Set Skur	STAINLESS STEEL / Paslanmaz
15	GASKET / Conta	EPDM
16	GEAR BOX / Dişli Kutusu	
17	NAME PLATE / Etiket	STAINLESS STEEL
18	INDICATOR / İndikatör	STEEL (AISI A 252)

DN65-...-200 çapları UL Listeli, FM onaylıdır. DN50 çapı FM onaylıdır.

DN65-...-200 diameters are UL listed, and FM approved. DN50 diameter is FM approved.